

RFS Durvinil® slotted drainage pipes

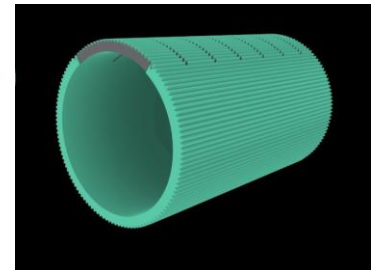


DURVINIL slotted pipes are used when excess water in the soil causes softening or degradation of its mechanical characteristics. The drainage pipes made of rigid PVD stand all kinds of underground water, seawater, and acid or alkaline diluted solutions.

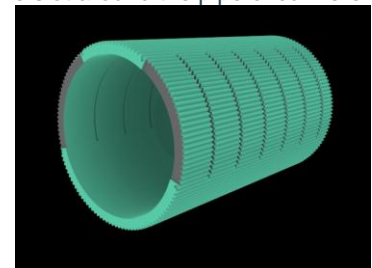
RFS DURVINIL® DRAINAGE PIPES

Nominal Diameter (mm)	Internal diameter (mm)	External diameter (mm)
1/2"	16	22
1"	27	34
1"1/4	31	38
1"1/2	43	50
2"	52	62
2" A	55	62
2"1/2	66	77
2"1/2 A	69	77
3"	79	90
3" A	82	90
3" 1/2	91	100
4"	105	118
4" A	108	118

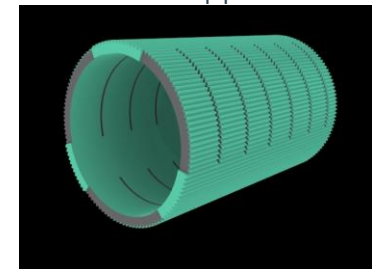
SLOTS POSITION



One slot around the pipe circumference



Two slots around the pipe circumference

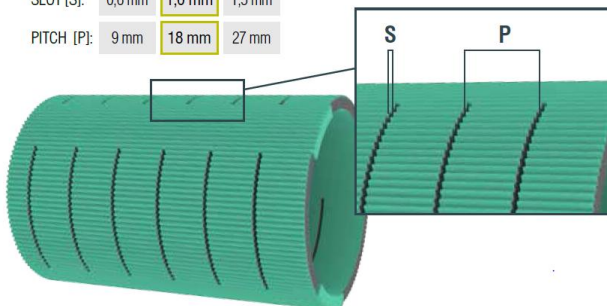


Three slots around the pipe circumference

DURGLASS® ROUND BARS

Drilling diameter (mm)	RFS drainage pipe diameter (mm)
90 – 130	1" to 2"
130 – 160	2" to 3"
160 – 200	3" to 4"

SLOT [S]: 0,6 mm, 1,0 mm, 1,5 mm
 PITCH [P]: 9 mm, 18 mm, 27 mm



Slots have variable width and pitch according to the requested drainage capacity and on the soil's granulometry.

On demand, the drainage pipe can be supplied with a filtering sock obtained by sewing a non-woven polypropylene geotextile with a mass of 130 g/m³.